

CATALOG NUMBER	STRANDED COPPER CONDUCTOR ACCOMMODATED			BOLT SIZE	METRIC BOLT SIZE	DIMENSIONS							
	CODE (AWG)	NAVY	METRIC SIZE (CLASS 2)			B	C	K DIA.	L	N	O.D.	T REF.	Z MIN.
YA29L2	250 kcmil	250	120mm <sup>2</sup> STR [14.5]	1/4	M6	1.06 [27]	1.11 [28]	.27 [7]	2.17 [55]	.25 [6]	.75 [19]	.16 [4]	.33 [8]
YA29L7				5/16	----	.33 [8]	2.30 [58]	.34 [9]	.75 [19]	.16 [4]	.36 [9]		
YA29L4				3/8	----	.40 [10]	2.42 [61]	.41 [10]	.75 [19]	.16 [4]	.42 [11]		
YA29L				1/2	M12	.53 [13]	2.67 [68]	.53 [13]	.75 [19]	.16 [4]	.55 [14]		
YA29LTC78				7/8	----	.94 [24]	3.36 [85]	.88 [22]	.75 [19]	.14 [4]	.89 [23]		
YA30L1	300 kcmil	300	150mm <sup>2</sup> STR [16.2]	5/16	----	1.03 [26]	1.20 [30]	.33 [8]	2.31 [59]	.34 [9]	.81 [21]	.16 [4]	.36 [9]
YA30L24				3/8	----	.40 [10]	2.44 [62]	.41 [10]	.81 [21]	.16 [4]	.42 [11]		
YA30L				1/2	M12	.53 [13]	2.69 [68]	.53 [13]	.81 [21]	.16 [4]	.55 [14]		
YA30LUNPL				1/2	M12	.53 [13]	2.69 [68]	.53 [13]	.81 [21]	.16 [4]	.55 [14]		
YA30L7				5/8	M16	.69 [18]	2.94 [75]	.66 [17]	.81 [21]	.16 [4]	.67 [17]		
YA30L27				7/8	----	1.20 [30]	3.37 [86]	.88 [22]	.81 [21]	.16 [4]	.89 [23]		
YA30L28				3/4	----	.81 [20]	3.12 [80]	.75 [19]	.81 [21]	.16 [4]	.77 [19]		

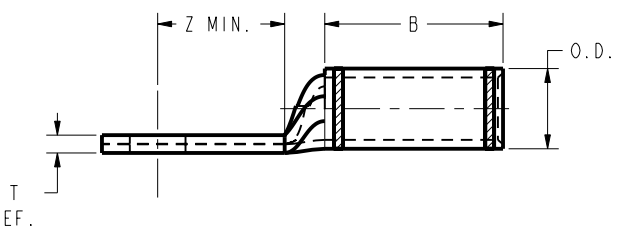
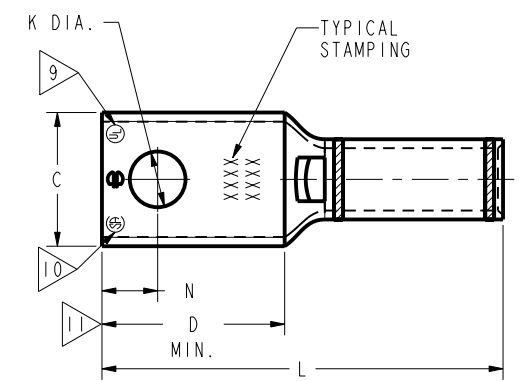
CONNECTOR SIZE	TOLERANCES					
	B	C	K DIA.	L	N	O.D.
-8C THRU -25	±.06	±.04	±.02	±.09	±.03	±.01
-26 THRU -34	±.08	±.04	±.02	±.12	±.03	±.01
-35 AND UP	±.09	±.06	±.02	±.15	±.06	±.01

TOLERANCE BLOCK

CATALOG NO.	COLOR CODE	DIE INFORMATION		MECHANICAL RATCHET				HYDRAULIC						DIELESS (# CRIMPS)	WIRE STRIP LENGTH	
		DIE INDEX	TYPE	YIMRTC	OUR840	MD6 MD7	MD6--R2 MD7-34R	Y500CT PATMD6 PAT600	Y34A Y34B Y34BH	Y35, Y39 Y750, PAT750	Y46 PAT46	Y45	Y48B			Y60BHU
YA29L2 YA29L7 YA29L4 YA29L YA29LTC78	YELLOW	16	YELLOW DIE SET NEST INDENTOR	----	X29RT(4)	X29RT(4) W29VT(2)	X29RT(4) W29RT(2) W29VT(2)	X29RT(4) W29RT(2) W29VT(2)	A29R(1)	U29RT(1)	U29RT(1)	U29RT(1)	C29R(1)	L29RT(1)	MECHANICAL MY29-3 (1) MY29-11 (1) HYDRAULIC: Y644 (1) Y81KFT (2) Y4PC834 (2)	1-1/8"
YA30L1 YA30L24 YA30L YA30L7 YA30L27 YA30L28 YA30LUNPL	WHITE	17 298	WHITE DIE SET NEST INDENTOR	----	----	W30VT(2)	W30RT(2) W30VT(2)	W30RT(2) W30VT(2)	A28AR(1)	U30RT(2) U28ART(2)	U30RT(2) U28ART(2)	U30RT(2) U28ART(2)	C30R(2) C28AR(2)	L30RT(1)	HYDRAULIC: Y644 (1) Y81KFT (2) Y4PC834 (2)	1-1/6"

NOTES:

- MATERIAL: COPPER TUBING.
- FINISH: TIN PLATED.  
"FOR ALTERNATIVE FINISH ADD ONE OF THE FOLLOWING SUFFIXES:  
NICKEL = NK, LEAD = LD, BARE = BR, SILVER = SV"
- CATALOG # PT6515 ADAPTOR IS REQUIRED TO USE "U" DIES IN Y45 SERIES TOOLS.
- CATALOG # PUADP-1 ADAPTOR IS REQUIRED TO USE "U" DIES IN Y46 SERIES TOOLS.
- Y35P3 INDENTOR ADAPTOR REQUIRED FOR Y34PR INDENTOR.
- PERMANENT DIE IN TOOLING.
- DIMENSIONS IN BRACKETS [ ] ARE IN MILLIMETERS ROUNDED OFF TO THE NEAREST MILLIMETER, UNLESS OTHERWISE NOTED, AND ARE FOR REFERENCE ONLY.
- FOR USE BY CUSTOMERS THAT HAVE THIS HYPRESS™. NO NEW Y34A HYPRESS™ TOOLS ARE BEING PROCESSED. Y34A USES A--D NEST DIES ONLY.
- CONNECTORS ARE UL LISTED; UNDRILLED VERSIONS ARE NOT UL LISTED.
- CONNECTORS ARE CSA CERTIFIED. UNDRILLED VERSIONS ARE NOT CSA CERTIFIED.
- FOR UNDRILLED VERSIONS ADD SUFFIX "-U" TO END OF CATALOG NUMBER.  
FOR UNDRILLED VERSIONS, USE D MIN. = N MAX. + Z MIN.
- "X", "W-RT", "W-VT", "U" & "L" DIE SETS ARE COLOR CODED. "A", "B" AND "C" DIES ARE NOT COLOR CODED. NESTS AND INDENTOR TYPE ARE NOT COLOR CODED.
- ADD SUFFIX "UNPL" FOR UNPLATED CONNECTORS WITH NO BARREL MARKINGS.



REFERENCE: SE209240

TO ORDER BURNDY® PRC

COPPER HYLUG™	
ITEM NO:	N/A
CAT. NO:	YA-L, YA-L-TC-, YAV-TC-
DRAWN BY:	J MITCHAUD 8/9/94
CHECKER:	D FILLION 10/3/94
DSN APPVL:	C PALAGI 8/19/94
MFG APPVL:	N/A N/A
QA APPVL:	C ACKERMAN 9/30/94
MKT APPVL:	T NELSON 9/7/94
PROD FAM:	CM&R COMPRESSION
PROJECT #:	---
DOCUMENT TYPE:	Sales
REL LEVEL:	Released
DRAWING NO:	SD079848
SCALE:	1:1
SHEET:	11 OF 17

REV: PE0200